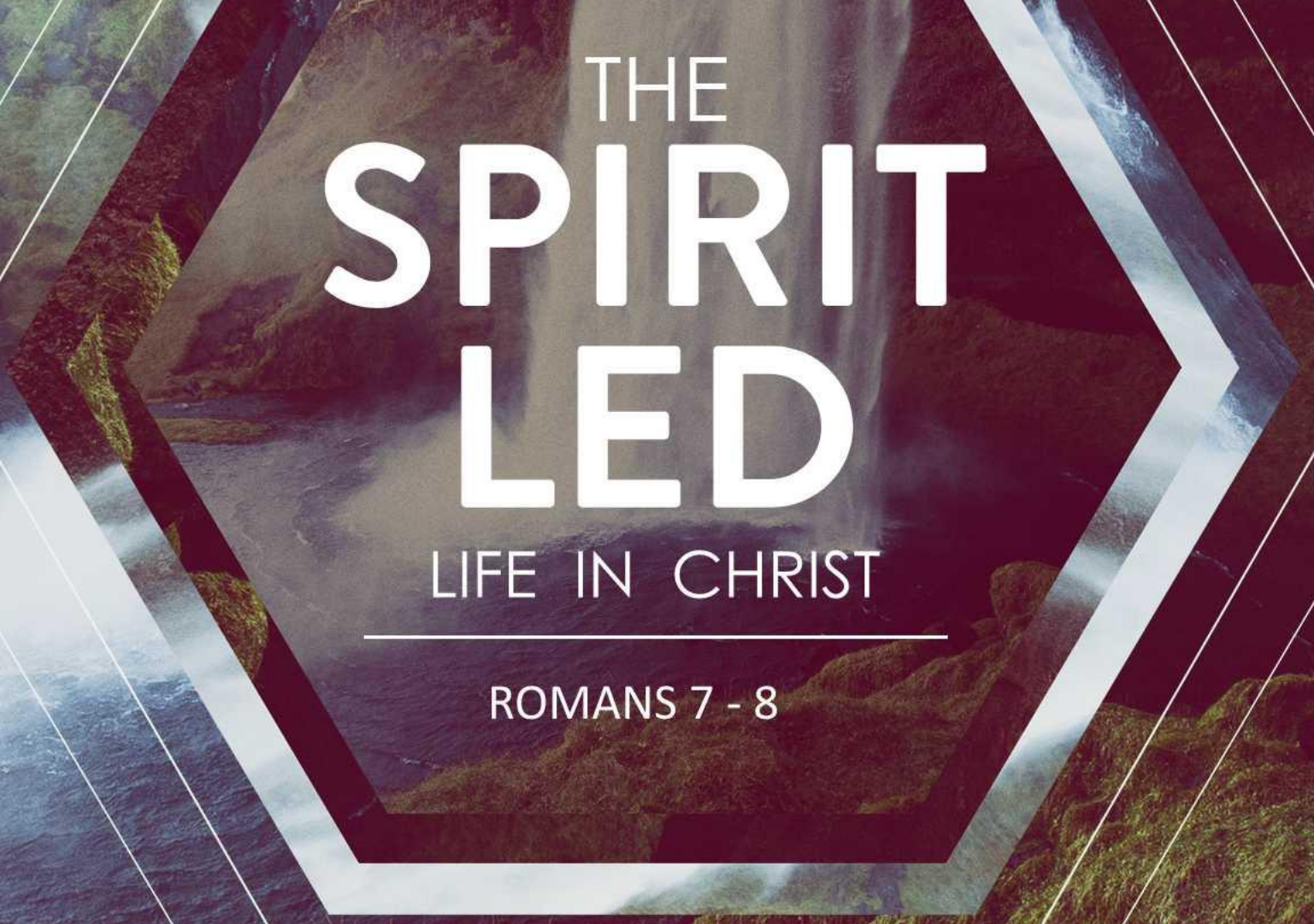


Romans: The Message of Salvation

Today's Message



THE SPIRIT LED

LIFE IN CHRIST

ROMANS 7 - 8

¹⁴⁻¹⁶ I can anticipate the response that is coming: “I know that all God’s commands are spiritual, but I’m not. Isn’t this also your experience?” Yes. I’m full of myself—after all, I’ve spent a long time in sin’s prison. What I don’t understand about myself is that I decide one way, but then I act another, doing things I absolutely despise. So if I can’t be trusted to figure out what is best for myself and then do it, it becomes obvious that God’s command is necessary.

¹⁷⁻²⁰ But I need something *more!* For if I know the law but still can’t keep it, and if the power of sin within me keeps sabotaging my best intentions, I obviously need help! I realize that I don’t have what it takes. I can will it, but I can’t *do* it. I decide to do good, but I don’t *really* do it; I decide not to do bad, but then I do it anyway. My decisions, such as they are, don’t result in actions. Something has gone wrong deep within me and gets the better of me every time.

²¹⁻²³ It happens so regularly that it's predictable. The moment I decide to do good, sin is there to trip me up. I truly delight in God's commands, but it's pretty obvious that not all of me joins in that delight. Parts of me covertly rebel, and just when I least expect it, they take charge.

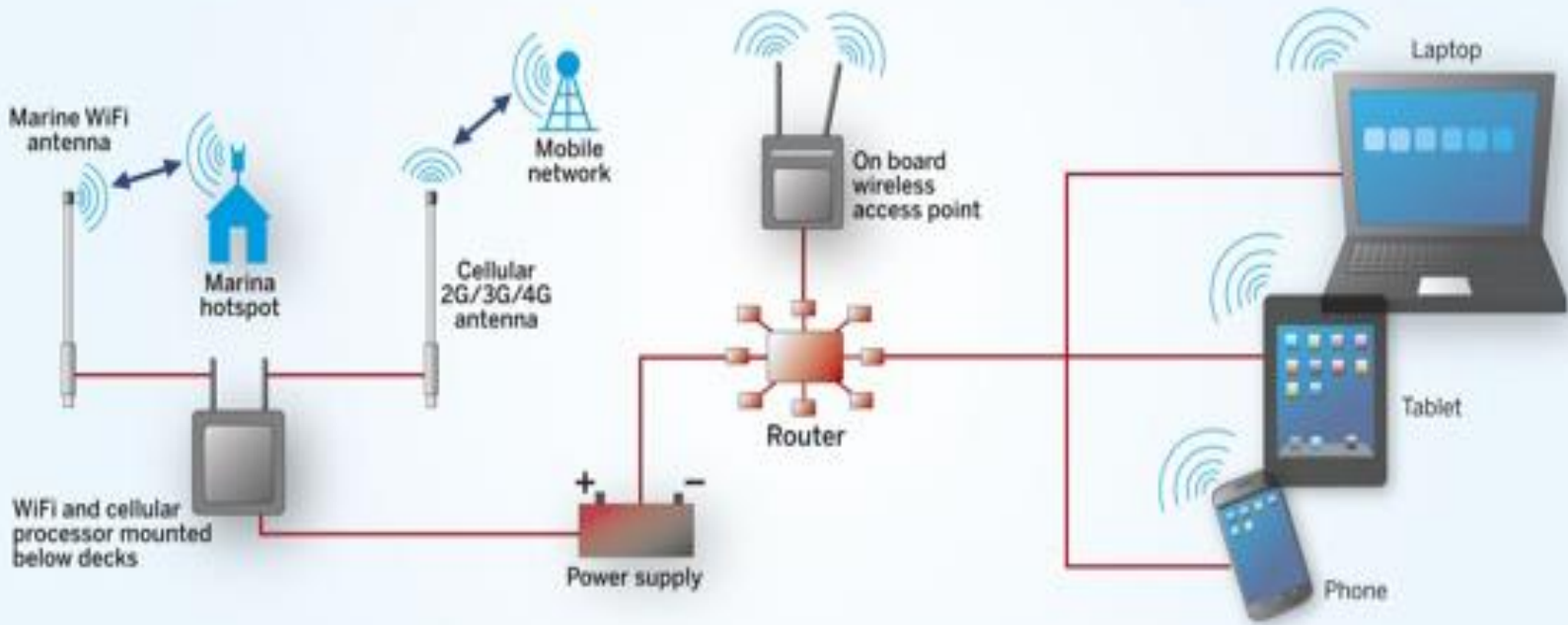
²⁴ I've tried everything and nothing helps. I'm at the end of my rope. Is there no one who can do anything for me? Isn't that the real question? ²⁵ The answer, thank God, is that Jesus Christ can and does. He acted to set things right in this life of contradictions where I want to serve God with all my heart and mind, but am pulled by the influence of sin to do something totally different.

8 ¹⁻² With the arrival of Jesus, the Messiah, that fateful dilemma is resolved. Those who enter into Christ's being-here-for-us no longer have to live under a continuous, low-lying black cloud. A new power is in operation. The Spirit of life in Christ, like a strong wind, has magnificently cleared the air, freeing you from a fated lifetime of brutal tyranny at the hands of sin and death.

⁹⁻¹¹ But if God himself has taken up residence in your life, you can hardly be thinking more of yourself than of him. Anyone, of course, who has not welcomed this invisible but clearly present God, the Spirit of Christ, won't know what we're talking about. But for you who welcome him, in whom he dwells—even though you still experience all the limitations of sin—you yourself experience life on God's terms. It stands to reason, doesn't it, that if the alive-and-present God who raised Jesus from the dead moves into your life, he'll do the same thing in you that he did in Jesus, bringing you alive to himself? When God lives and breathes in you (and he does, as surely as he did in Jesus), you are delivered from that dead life. With his Spirit living in you, your body will be as alive as Christ's!

Am I connected?

Can I get a connection?



Romans 7 Summary

- Jesus Christ has brought us redemption from the law, from sin, and from death.
- However, the law does help us to know right and wrong. “You shall not covet”
- The dilemma: “I decide one way, but then I act another, doing things I absolutely despise.”
- God is concerned about any sin that separates us from him.
- Through Jesus, God has provided us a way to find grace, redemption, and restoration.

Romans 8:1

“Therefore, there is now no condemnation for those who are in Christ Jesus, because through Christ Jesus the law of the Spirit who gives life has set you free from the law of sin and death.” (NIV)

“With the arrival of Jesus, the Messiah, that fateful dilemma is resolved. Those who enter into Christ’s being-here-for-us no longer have to live under a continuous, low-lying black cloud. A new power is in operation. The Spirit of life in Christ, like a strong wind, has magnificently cleared the air, freeing you from a fated lifetime of brutal tyranny at the hands of sin and death.” (The Message)



A NEW POWER IS
IN OPERATION!

THE SPIRIT OF
LIFE IN CHRIST!

The Work of the Holy Spirit

How Does The Spirit Work?

1. The Spirit Leads Us!

Those who think they can do it on their own end up obsessed with measuring their own moral muscle but never get around to exercising it in real life. Those who trust God's action in them find that God's Spirit is in them, living and breathing God!

Romans 8:5 (The Message)

“Obsession with self in these matters is a dead end; attention to God leads us out into the open, into a spacious, free life. Focusing on the self is the opposite of focusing on God. Anyone completely absorbed in self ignores God, ends up thinking more about self than God. That person ignores who God is and what he is doing. And God isn’t pleased at being ignored.”

Romans 8:8 (The Message)

“To be filled with the Holy Spirit is to be filled with Christ. The Holy Spirit came to glorify Christ. Therefore, if I am filled with the Spirit, I am abiding in Christ, and if I am controlled and empowered by Christ, He will be living his resurrection life in and through me.”

- Bill Bright

The Work of the Holy Spirit

How Does The Spirit Work?

1. The Spirit Leads Us!
2. The Spirit Frees Us!

THE RESURRECTION POWER
OF JESUS SETS US FREE

“It stands to reason, doesn’t it, that if the alive-and-present God who raised Jesus from the dead moves into your life, he’ll do the same thing in you that he did in Jesus, bringing you alive to himself? When God lives and breathes in you (and he does, as surely as he did in Jesus), you are delivered from that dead life. With his Spirit living in you, your body will be as alive as Christ’s!”

Romans 8:11 (The Message)

The Work of the Holy Spirit

How Does The Spirit Work?

- 1. The Spirit Leads Us!**
- 2. The Spirit Frees Us!**
- 3. The Spirit Witnesses Through Us!**

**Be ready to be a witness!
The Holy Spirit will guide you!**

“I am the true vine, and my Father is the gardener. He cuts off every branch in me that bears no fruit, while every branch that does bear fruit he prunes so that it will be even more fruitful. You are already clean because of the word I have spoken to you. Remain in me, as I also remain in you. No branch can bear fruit by itself; it must remain in the vine. Neither can you bear fruit unless you remain in me. “I am the vine; you are the branches. If you remain in me and I in you, you will bear much fruit; apart from me you can do nothing.”

John 15:1-5 (NIV)

**“This is what happens when
we live God’s way.”**

Galatians 5:22 (The Message)

The Spirit-Led life in Christ produces...

The fruit of the Spirit is love, joy, peace, forbearance, kindness, goodness, faithfulness, gentleness and self-control. Against such things there is no law. Those who belong to Christ Jesus have crucified the flesh with its passions and desires. Since we live by the Spirit, let us keep in step with the Spirit. Galatians 5:-25 (NIV)

How connected are you to God?

His Word the Bible?

His Son Jesus Christ?

The Holy Spirit?

His Church?

This is the connection that
truly matters in your life!